



**Ledtech Corporation (UK)**

Candela House  
Cardrew Ind. Est.  
Redruth, Cornwall  
TR15 1SS

**T** 01209 203198

**F** 01209 215197

[sales@ledtech-uk.com](mailto:sales@ledtech-uk.com)

[ledtech-uk.com](http://ledtech-uk.com)

## SPECIFICATION

LKCMN3-CM-3UNL3-65

5.0x5.0x1.5mm SMD Type SMD LED (Lead Frame Type) White



GLOBAL BRILLIANCE

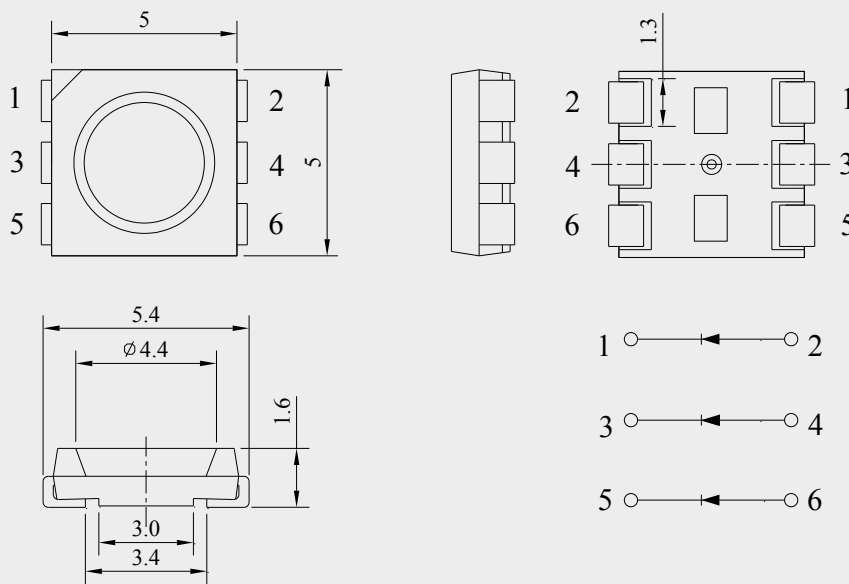
## Description

5.0x5.0x1.5mm SMD Type SMD LED  
(Lead Frame Type) White

## Part No

LKCMN3-CM-3UNL3-65

## Dimensions



## Description

Part No.	LED Chip		LENS
	Material	Emitting Colour	Type
LKCMN3-CM-3UNL3-65	InGaN/Sapphire	White	Yellow Diffused

### Notes

- All dimensions are in mm.
- Tolerance is  $\pm 0.25$ mm unless otherwise noted.



**Ledtech Corporation (UK)**

Candela House  
Cardrew Ind. Est.  
Redruth, Cornwall  
TR15 1SS

**T** 01209 203198

**F** 01209 215197

sales@ledtech-uk.com

**ledtech-uk.com**

## Description

5.0x5.0x1.5mm SMD Type SMD LED  
(Lead Frame Type) White

## Part No

LKCMN3-CM-3UNL3-65

## Absolute Maximum Ratings at Ta=25°C

Parameter	Symbol	Rating	Unit
Power Dissipation	Pd	120	mW
Reverse Voltage	Vr	5	V
D.C. Forward Current	If	30	mA
Peak Current (1/10 Duty Cycle, 0.1ms Pulse Width)	If (Peak)	100	mA
Operating Temperature Range	Topr.	-40 to +100	°C
Storage Temperature Range	Tstg.	-40 to +100	°C
Soldering Temperature (1.6mm from body)	Tsol.	Reflow Soldering: 260°C for 10 sec Hand Soldering : 350°C for 3 sec.	

## Typical Electrical and Optical Characteristics:

Parameter	Symbol	Condition	Value	Unit	
Luminous Intensity	Iv	If=20mA	5500	mcd	
Forward Voltage	Vf	If=20mA	3.2	V	
Chromaticity X Coordinate	X	If=20mA	0.3136	-	
Chromaticity Y Coordinate	Y		0.3223		
Reverse (Leakage) Current	Ir	Vr=5V	50	µA	
Viewing Angle	2θ½	If=20mA	120	deg	
Correlated Colour Temperature	CCT	If=20mA	Min	Max	K
			6500	6750	