



Ledtech Corporation (UK)

Candela House
Cardrew Ind. Est.
Redruth, Cornwall
TR15 1SS

T 01209 203198

F 01209 215197

sales@ledtech-uk.com

ledtech-uk.com

SPECIFICATION

LKA8041-11B / LKC8041-11B

0.8" Single Alphanumeric Display Orange



GLOBAL BRILLIANCE

Description

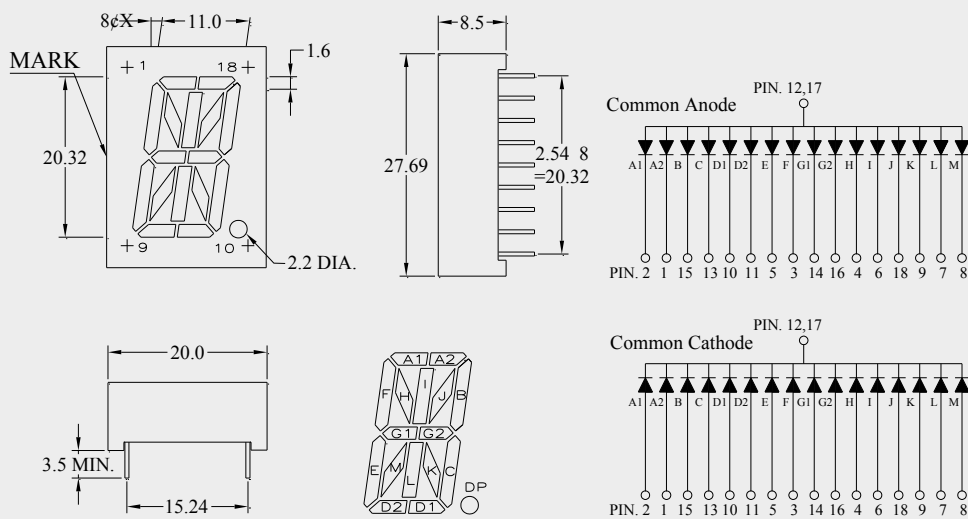
0.8" Single Alphanumeric Display
Orange

Part No

LKA8041-11B (Common Anode)

LKC8041-11B (Common Cathode)

Dimensions



Description

| Part No. | LED Chip | | FACE COLOUR | |
|---------------------------|-----------|-----------------|-------------|---------|
| | Material | Emitting Colour | Surface | Segment |
| LKA8041-11B / LKC8041-11B | GaAsP/GaP | Orange | Grey | White |

Notes

1. All dimensions are in mm.
2. Tolerance is ± 0.25 mm unless otherwise noted.
3. Pin slope angle tolerance $\pm 5.0^\circ$.



Ledtech Corporation (UK)

Candela House
Cardrew Ind. Est.
Redruth, Cornwall
TR15 1SS

T 01209 203198

F 01209 215197

sales@ledtech-uk.com

ledtech-uk.com

Description

0.8" Single Alphanumeric Display
Orange

Part No

LKA8041-11B (Common Anode)
LKC8041-11B (Common Cathode)

Absolute Maximum Ratings at Ta=25°C

| Parameter | Symbol | Rating | Unit |
|---|-----------|---|------|
| Power Dissipation Per Segment | Pd | 78 | mW |
| Reverse Voltage Per Chip | Vr | 5 | V |
| D.C. Forward Current Per Chip | If | 30 | mA |
| Peak Current Per Segment (1/10 Duty Cycle, 0.1ms Pulse Width) | If (Peak) | 100 | mA |
| Operating Temperature Range | Topr. | -25 to +85 | °C |
| Storage Temperature Range | Tstg. | -40 to +100 | °C |
| Soldering Temperature (1.6mm from body) | Tsol. | Dip Soldering : 260°C for 5 sec. Hand Soldering : 350°C for 3 sec. | |

Typical Electrical and Optical Characteristics:

| Parameter | Symbol | Condition | Value | Unit |
|---------------------------------------|-------------|---------------|-------|---------|
| Luminous Intensity Per Segment | Iv | If=10mA /seg. | 2.55 | mcd |
| Forward Voltage Per Segment | Vf | If=20mA /seg. | 2.1 | V |
| Peak Wavelength | λ_p | If=20mA /seg. | 635 | nm |
| Dominant Wavelength | λ_p | | 626 | |
| Reverse (Leakage) Current Per Segment | Ir | Vr=5V | 100 | μ A |
| Response Time | T | - | 250 | ns |