



Ledtech Corporation (UK)

Candela House
Cardrew Ind. Est.
Redruth, Cornwall
TR15 1SS

T 01209 203198

F 01209 215197

sales@ledtech-uk.com

ledtech-uk.com

SPECIFICATION

LKA56B1-11-URC3Z / LKC56B1-11-URC3Z

0.56" Single Digit Display Blue



GLOBAL BRILLIANCE

Description

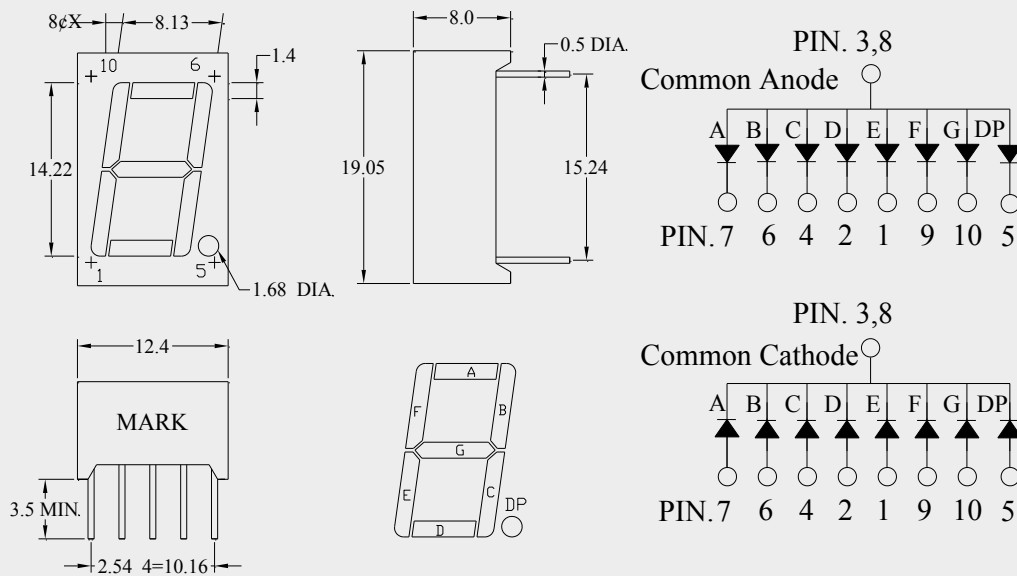
0.56" Single Digit Display Blue

Part No

LKA56B1-11-URC3Z (Common Anode)

LKC56B1-11-URC3Z (Common Cathode)

Dimensions



Description

Part No.	LED Chip		FACE COLOUR	
	Material	Emitting Colour	Surface	Segment
LKA56B1-11-URC3Z / LKC56B1-11-URC3Z	InGaN/Sapphire	Blue	Grey	White

Notes

1. All dimensions are in mm.
2. Tolerance is ± 0.25 mm unless otherwise noted.
3. Pin slope angle tolerance $\pm 5.0^\circ$.



Ledtech Corporation (UK)

Candela House
Cardrew Ind. Est.
Redruth, Cornwall
TR15 1SS

T 01209 203198

F 01209 215197

sales@ledtech-uk.com

ledtech-uk.com

Description

0.56" Single Digit Display Blue

Part No

LKA56B1-11-URC3Z (Common Anode)

LKC56B1-11-URC3Z (Common Cathode)

Absolute Maximum Ratings at Ta=25°C

Parameter	Symbol	Rating	Unit
Power Dissipation Per Segment	Pd	120	mW
Reverse Voltage Per Chip	Vr	5	V
D.C. Forward Current Per Chip	If	30	mA
Peak Current Per Segment (1/10 Duty Cycle, 0.1ms Pulse Width)	If (Peak)	100	mA
Operating Temperature Range	Topr.	-25 to +85	°C
Storage Temperature Range	Tstg.	-40 to +100	°C
Soldering Temperature (1.6mm from body)	Tsol.	Dip Soldering : 260°C for 5 sec. Hand Soldering : 350°C for 3 sec.	

Typical Electrical and Optical Characteristics:

Parameter	Symbol	Condition	Value	Unit
Luminous Intensity Per Segment	Iv	If=10mA /seg.	10.78	mcd
Forward Voltage Per Segment	Vf	If=20mA /seg.	3.2	V
Peak Wavelength	λ_p	If=20mA /seg.	---	nm
Dominant Wavelength	λ_p		465	
Reverse (Leakage) Current Per Segment	Ir	Vr=5V	50	μ A
Response Time	T	-	250	ns