



**Ledtech Corporation (UK)**  
Candela House  
Cardrew Ind. Est.  
Redruth, Cornwall  
TR15 1SS

**T** 01209 203198  
**F** 01209 215197  
sales@ledtech-uk.com

[ledtech-uk.com](http://ledtech-uk.com)

## SPECIFICATION

LKA4341-11 / LKC4341-11

0.43" Single Digit Display Orange



GLOBAL BRILLIANCE

## Description

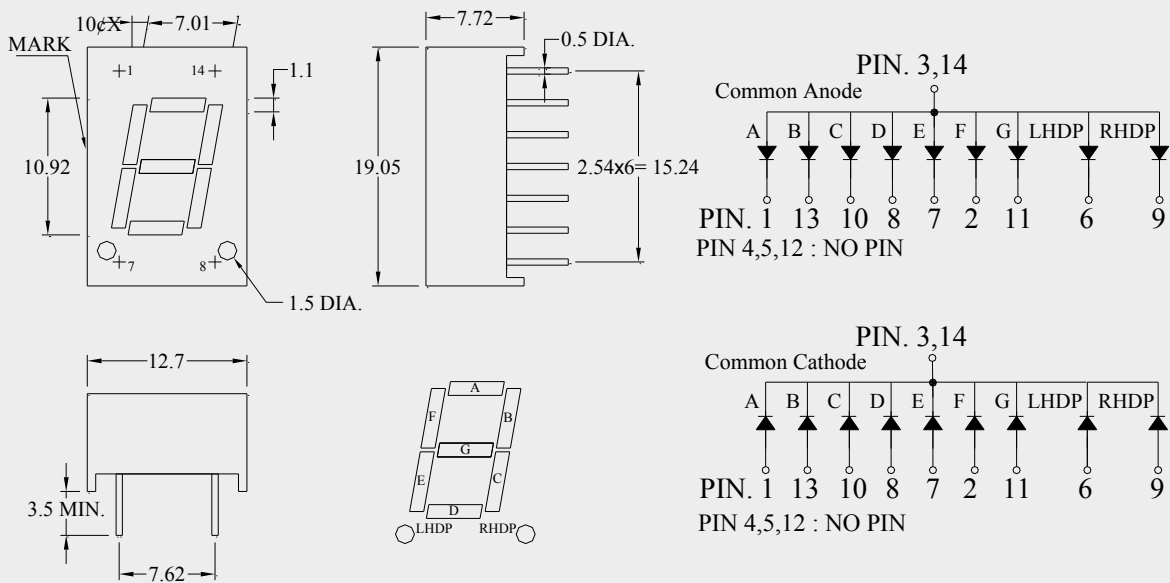
0.43" Single Digit Display Orange

## Part No

LKA4341-11 (Common Anode)

LKC4341-11 (Common Cathode)

## Dimensions



## Description

| Part No.                | LED Chip  |                 | FACE COLOUR |         |
|-------------------------|-----------|-----------------|-------------|---------|
|                         | Material  | Emitting Colour | Surface     | Segment |
| LKA4341-11 / LKC4341-11 | GaAsP/GaP | Orange          | Grey        | White   |

### Notes

1. All dimensions are in mm.
2. Tolerance is  $\pm 0.25$ mm unless otherwise noted.
3. Pin slope angle tolerance  $\pm 5.0^\circ$ .



**Ledtech Corporation (UK)**

Candela House  
Cardrew Ind. Est.  
Redruth, Cornwall  
TR15 1SS

**T** 01209 203198

**F** 01209 215197

sales@ledtech-uk.com

**ledtech-uk.com**

## Description

0.43" Single Digit Display Orange

## Part No

LKA4341-11 (Common Anode)

LKC4341-11 (Common Cathode)

## Absolute Maximum Ratings at Ta=25°C

| Parameter   | Symbol    | Rating  | Unit |
|---|-----------|---|------|
| Power Dissipation Per Segment                                 | Pd        | 78  | mW   |
| Reverse Voltage Per Chip                                      | Vr        | 5   | V    |
| D.C. Forward Current Per Chip                                 | If        | 30  | mA   |
| Peak Current Per Segment (1/10 Duty Cycle, 0.1ms Pulse Width) | If (Peak) | 100   | mA   |
| Operating Temperature Range                                   | Topr.     | -25 to +85  | °C   |
| Storage Temperature Range                                     | Tstg.     | -40 to +100   | °C   |
| Soldering Temperature (1.6mm from body)                       | Tsol.     | Dip Soldering : 260°C for 5 sec.<br>Hand Soldering : 350°C for 3 sec. |      |

## Typical Electrical and Optical Characteristics:

| Parameter                             | Symbol      | Condition     | Value | Unit    |
|---------------------------------------|-------------|---------------|-------|---------|
| Luminous Intensity Per Segment        | Iv          | If=10mA /seg. | 1.15  | mcd     |
| Forward Voltage Per Segment           | Vf          | If=20mA /seg. | 2.1   | V       |
| Peak Wavelength                       | $\lambda_p$ | If=20mA /seg. | 635   | nm      |
| Dominant Wavelength                   | $\lambda_p$ |               | 626   |         |
| Reverse (Leakage) Current Per Segment | Ir          | Vr=5V         | 100   | $\mu$ A |
| Response Time                         | T           | -             | 250   | ns      |