



**Ledtech Corporation (UK)**

Candela House  
Cardrew Ind. Est.  
Redruth, Cornwall  
TR15 1SS

**T** 01209 203198

**F** 01209 215197

[sales@ledtech-uk.com](mailto:sales@ledtech-uk.com)

[ledtech-uk.com](http://ledtech-uk.com)

## SPECIFICATION

LKA2541-21 / LKC2541-21

1.0" Single Digit Display Orange



GLOBAL BRILLIANCE

## Description

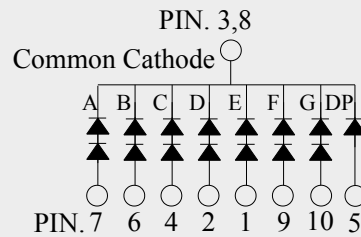
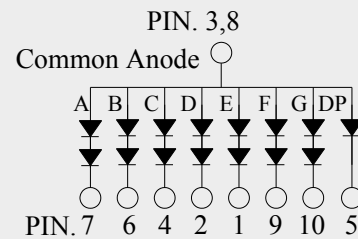
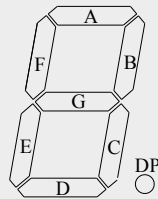
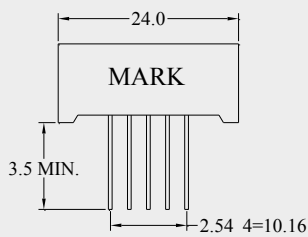
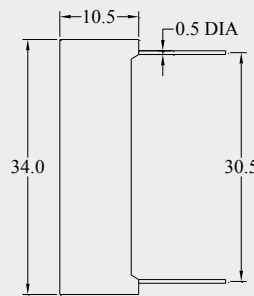
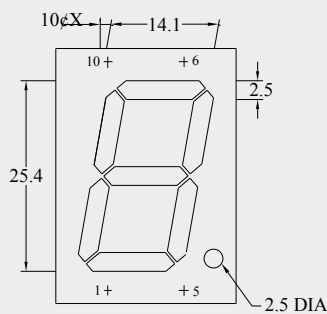
1.0" Single Digit Display Orange

## Part No

LKA2541-21 (Common Anode)

LKC2541-21 (Common Cathode)

## Dimensions



## Description

Part No.	LED Chip		FACE COLOUR	
	Material	Emitting Colour	Surface	Segment
LKA2541-21 / LKC2541-21	GaAsP/GaP	Orange	Grey	White

### Notes

1. All dimensions are in mm.
2. Tolerance is  $\pm 0.25$ mm unless otherwise noted.
3. Pin slope angle tolerance  $\pm 5.0^\circ$ .



**Ledtech Corporation (UK)**

Candela House  
Cardrew Ind. Est.  
Redruth, Cornwall  
TR15 1SS

**T** 01209 203198

**F** 01209 215197

sales@ledtech-uk.com

**ledtech-uk.com**

## Description

1.0" Single Digit Display Orange

## Part No

LKA2541-21 (Common Anode)

LKC2541-21 (Common Cathode)

## Absolute Maximum Ratings at Ta=25°C

Parameter	Symbol	Rating		Unit
		Seg	DP	
Power Dissipation Per Segment	Pd	156	78	mW
Reverse Voltage Per Chip	Vr	5		V
D.C. Forward Current Per Chip	If	30		mA
Peak Current Per Segment (1/10 Duty Cycle, 0.1ms Pulse Width)	If (Peak)	100		mA
Operating Temperature Range	Topr.	-25 to +85		°C
Storage Temperature Range	Tstg.	-40 to +100		°C
Soldering Temperature (1.6mm from body)	Tsol.	Dip Soldering : 260°C for 5 sec. Hand Soldering : 350°C for 3 sec.		

## Typical Electrical and Optical Characteristics:

Parameter	Symbol	Condition	Value	Unit	
Luminous Intensity Per Segment	Iv	If=10mA	3.7	mcd	
Forward Voltage Per Segment	Vf	If=20mA/seg	Seg	4.2	V
			DP	2.1	
Peak Wavelength	$\lambda_p$	If=20mA	635	nm	
Dominant Wavelength	$\lambda_p$		626		
Reverse (Leakage) Current Per Segment	Ir	Vr=5V	100	$\mu$ A	
Response Time	T	-	250	ns	