



**Ledtech Corporation (UK)**

Candela House  
Cardrew Ind. Est.  
Redruth, Cornwall  
TR15 1SS

**T** 01209 203198

**F** 01209 215197

[sales@ledtech-uk.com](mailto:sales@ledtech-uk.com)

[ledtech-uk.com](http://ledtech-uk.com)

## SPECIFICATION

LK9874-81

8.0mm Round Standard LED Lamp DH Red



GLOBAL BRILLIANCE

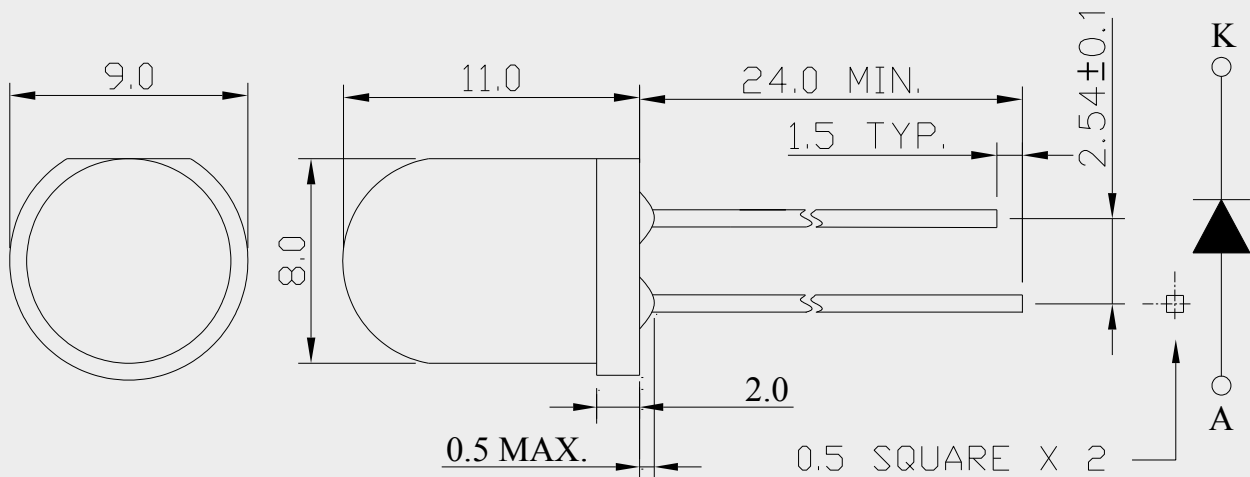
## Description

8.0mm Round Standard LED  
Lamp DH Red

## Part No

LK9874-81

## Dimensions



## Description

Part No.	LED Chip		LENS
	Material	Emitting Colour	Type
LK9874-81	AlGaAs/GaAs	DH Red	Color Transparent

## Notes

- All dimensions are in mm.
- Tolerance is  $\pm 0.25$ mm unless otherwise noted.



**Ledtech Corporation (UK)**

Candela House  
Cardrew Ind. Est.  
Redruth, Cornwall  
TR15 1SS

**T** 01209 203198

**F** 01209 215197

sales@ledtech-uk.com

**ledtech-uk.com**

## Description

8.0mm Round Standard LED  
Lamp DH Red

## Part No

LK9874-81

## Absolute Maximum Ratings at Ta=25°C

Parameter	Symbol	Rating	Unit
Power Dissipation	Pd	66	mW
Reverse Voltage	Vr	4	V
D.C. Forward Current	If	30	mA
Peak Current (1/10 Duty Cycle, 0.1ms Pulse Width)	If (Peak)	100	mA
Operating Temperature Range	Topr.	-25 to +85	°C
Storage Temperature Range	Tstg.	-40 to +100	°C
Soldering Temperature (1.6mm from body)	Tsol.	Dip Soldering : 260°C for 5 sec. Hand Soldering : 350°C for 3 sec.	

## Typical Electrical and Optical Characteristics:

Parameter	Symbol	Condition	Value	Unit
Luminous Intensity	Iv	If=20mA	110	mcd
Forward Voltage	Vf	If=20mA	1.8	V
Peak Wavelength	$\lambda_p$	If=20mA	660	nm
Dominant Wavelength	$\lambda_p$		643	
Reverse (Leakage) Current	Ir	Vr=5V	100	$\mu$ A
Viewing Angle	2 $\theta_{1/2}$	If=20mA	25	deg