



Ledtech Corporation (UK)

Candela House
Cardrew Ind. Est.
Redruth, Cornwall
TR15 1SS

T 01209 203198

F 01209 215197

sales@ledtech-uk.com

ledtech-uk.com

SPECIFICATION

LK4S71-41

1.9 * 3.1mm Rectangle Standard LED Lamp DH Red



GLOBAL BRILLIANCE

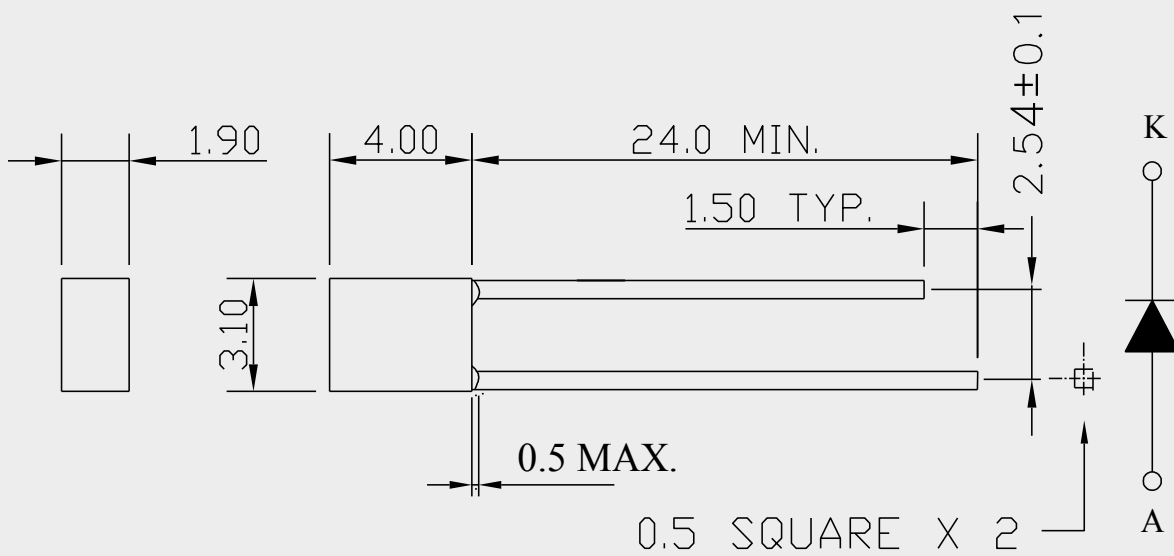
Description

1.9 * 3.1mm Rectangle Standard
LED Lamp DH Red

Part No

LK4S71-41

Dimensions



Description

Part No.	LED Chip		LENS
	Material	Emitting Colour	Type
LK4S71-41	AlGaAs/GaAs	DH Red	Color Diffused

Notes

- All dimensions are in mm.
- Tolerance is ± 0.25mm unless otherwise noted.



Ledtech Corporation (UK)

Candela House
Cardrew Ind. Est.
Redruth, Cornwall
TR15 1SS

T 01209 203198

F 01209 215197

sales@ledtech-uk.com

ledtech-uk.com

Description

1.9 * 3.1mm Rectangle Standard
LED Lamp DH Red

Part No

LK4S71-41

Absolute Maximum Ratings at Ta=25°C

Parameter	Symbol	Rating	Unit
Power Dissipation	Pd	66	mW
Reverse Voltage	Vr	4	V
D.C. Forward Current	If	30	mA
Peak Current (1/10 Duty Cycle, 0.1ms Pulse Width)	If (Peak)	100	mA
Operating Temperature Range	Topr.	-25 to +85	°C
Storage Temperature Range	Tstg.	-40 to +100	°C
Soldering Temperature (1.6mm from body)	Tsol.	Dip Soldering : 260°C for 5 sec. Hand Soldering : 350°C for 3 sec.	

Typical Electrical and Optical Characteristics:

Parameter	Symbol	Condition	Value	Unit
Luminous Intensity	Iv	If=20mA	11	mcd
Forward Voltage	Vf	If=20mA	1.8	V
Peak Wavelength	λ_p	If=20mA	660	nm
Dominant Wavelength	λ_p		643	
Reverse (Leakage) Current	Ir	Vr=5V	100	μ A
Viewing Angle	2 $\theta_{1/2}$	If=20mA	110	deg