



Ledtech Corporation (UK)

Candela House
Cardrew Ind. Est.
Redruth, Cornwall
TR15 1SS

T 01209 203198

F 01209 215197

sales@ledtech-uk.com

ledtech-uk.com

SPECIFICATION

LK3V23-4D-UDC9

4.8mm Cylinder Super Bright LED Lamp True Green



GLOBAL BRILLIANCE

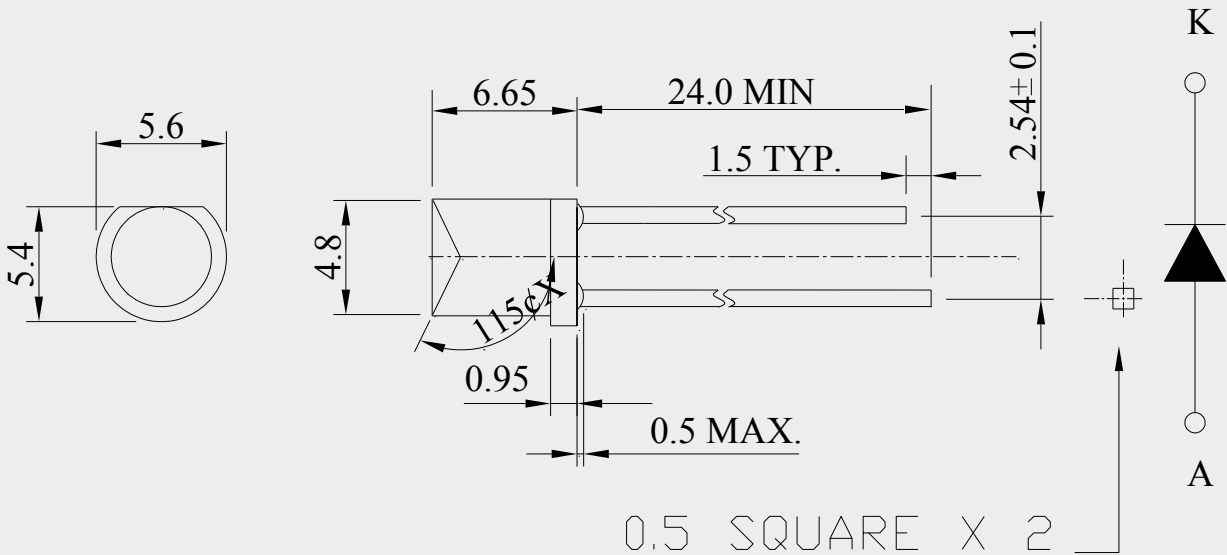
Description

4.8mm Cylinder Super Bright LED
Lamp True Green

Part No

LK3V23-4D-UDC9

Dimensions



Description

| Part No. | LED Chip | | LENS |
|----------------|----------------|-----------------|-------------|
| | Material | Emitting Colour | Type |
| LK3V23-4D-UDC9 | InGaN/Sapphire | True Green | Water Clear |

Notes

- All dimensions are in mm.
- Tolerance is ± 0.25 mm unless otherwise noted.



Ledtech Corporation (UK)

Candela House
Cardrew Ind. Est.
Redruth, Cornwall
TR15 1SS

T 01209 203198

F 01209 215197

sales@ledtech-uk.com

ledtech-uk.com

Description

4.8mm Cylinder Super Bright LED
Lamp True Green

Part No

LK3V23-4D-UDC9

Absolute Maximum Ratings at Ta=25°C

| Parameter | Symbol | Rating | Unit |
|---|-----------|---|------|
| Power Dissipation | Pd | 120 | mW |
| Reverse Voltage | Vr | 5 | V |
| D.C. Forward Current | If | 30 | mA |
| Peak Current (1/10 Duty Cycle, 0.1ms Pulse Width) | If (Peak) | 100 | mA |
| Operating Temperature Range | Topr. | -25 to +85 | °C |
| Storage Temperature Range | Tstg. | -40 to +100 | °C |
| Soldering Temperature (1.6mm from body) | Tsol. | Dip Soldering : 260°C for 5 sec. Hand Soldering : 350°C for 3 sec. | |

Typical Electrical and Optical Characteristics:

| Parameter | Symbol | Condition | Value | Unit |
|---------------------------|------------------|-----------|-------|---------|
| Luminous Intensity | Iv | If=20mA | 80 | mcd |
| Forward Voltage | Vf | If=20mA | 3.2 | V |
| Peak Wavelength | λ_p | If=20mA | - | nm |
| Dominant Wavelength | λ_p | | 520 | |
| Reverse (Leakage) Current | Ir | Vr=5V | 50 | μ A |
| Viewing Angle | 2 $\theta_{1/2}$ | If=20mA | 125 | deg |