



Ledtech Corporation (UK)

Candela House
Cardrew Ind. Est.
Redruth, Cornwall
TR15 1SS

T 01209 203198

F 01209 215197

sales@ledtech-uk.com

ledtech-uk.com

SPECIFICATION

LK3V13-4D-UJF7

4.8mm Cylinder Super Bright LED Lamp Hyper Red



GLOBAL BRILLIANCE

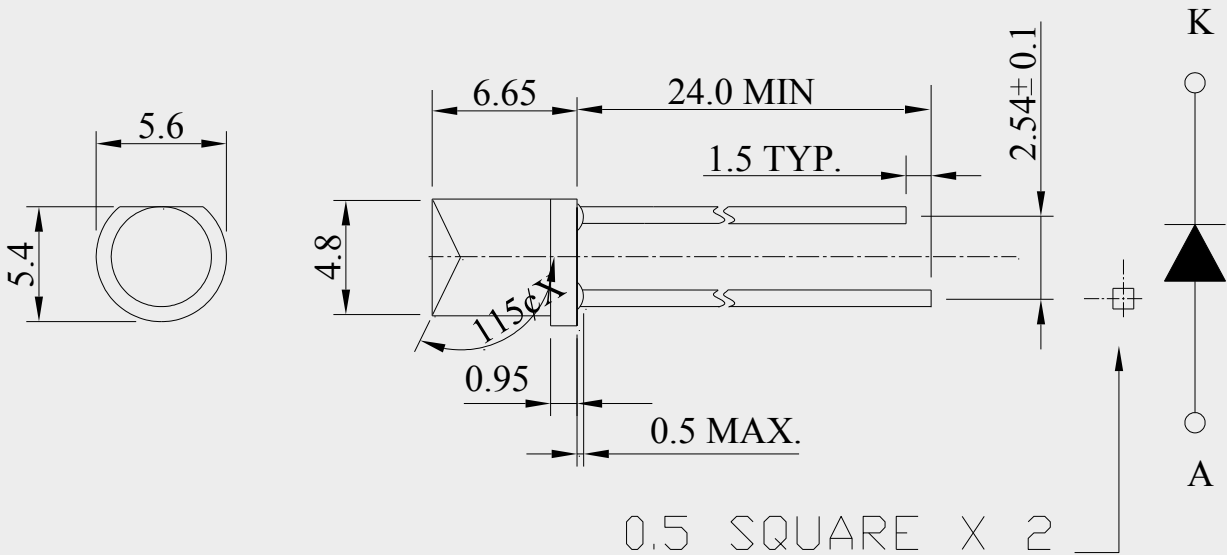
Description

4.8mm Cylinder Super Bright LED
Lamp Hyper Red

Part No

LK3V13-4D-UJF7

Dimensions



Description

Part No.	LED Chip		LENS
	Material	Emitting Colour	Type
LK3V13-4D-UJF7	AlGaInP/Si	Hyper Red	Water Clear

Notes

- All dimensions are in mm.
- Tolerance is ± 0.25 mm unless otherwise noted.



Ledtech Corporation (UK)

Candela House
Cardrew Ind. Est.
Redruth, Cornwall
TR15 1SS

T 01209 203198

F 01209 215197

sales@ledtech-uk.com

ledtech-uk.com

Description

4.8mm Cylinder Super Bright LED
Lamp Hyper Red

Part No

LK3V13-4D-UJF7

Absolute Maximum Ratings at Ta=25°C

Parameter	Symbol	Rating	Unit
Power Dissipation	Pd	75	mW
Reverse Voltage	Vr	5	V
D.C. Forward Current	If	30	mA
Peak Current (1/10 Duty Cycle, 0.1ms Pulse Width)	If (Peak)	100	mA
Operating Temperature Range	Topr.	-25 to +85	°C
Storage Temperature Range	Tstg.	-40 to +100	°C
Soldering Temperature (1.6mm from body)	Tsol.	Dip Soldering : 260°C for 5 sec. Hand Soldering : 350°C for 3 sec.	

Typical Electrical and Optical Characteristics:

Parameter	Symbol	Condition	Value	Unit
Luminous Intensity	Iv	If=20mA	90	mcd
Forward Voltage	Vf	If=20mA	2.1	V
Peak Wavelength	λ_p	If=20mA	632	nm
Dominant Wavelength	λ_p		625	
Reverse (Leakage) Current	Ir	Vr=5V	100	μ A
Viewing Angle	2 $\theta_{1/2}$	If=20mA	125	deg