



Ledtech Corporation (UK)

Candela House
Cardrew Ind. Est.
Redruth, Cornwall
TR15 1SS

T 01209 203198

F 01209 215197

sales@ledtech-uk.com

ledtech-uk.com

SPECIFICATION

LK0383-41-880

3.0mm Round Infrared Infrared Lamp IR



GLOBAL BRILLIANCE

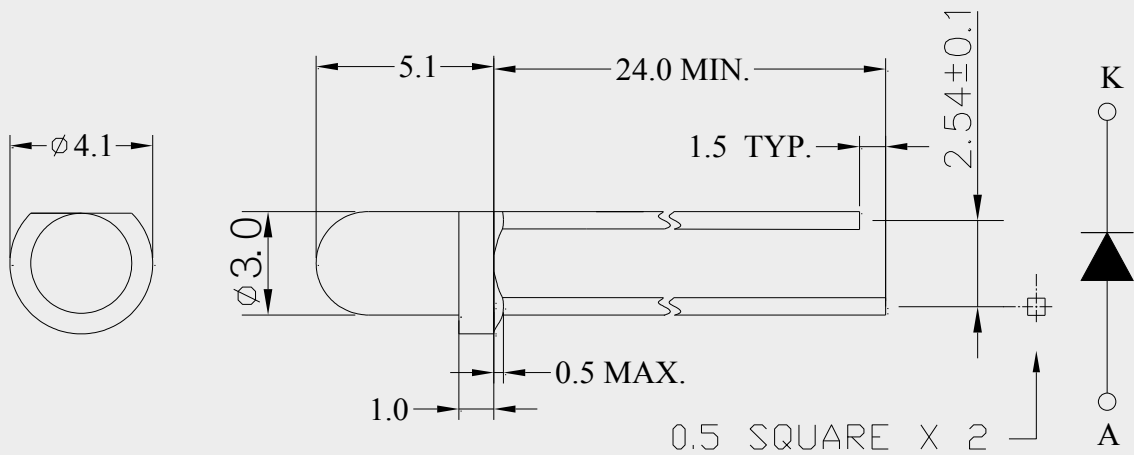
Description

3.0mm Round Infrared Infrared
Lamp IR

Part No

LK0383-41-880

Dimensions



Description

Part No.	LED Chip		LENS
	Material	Emitting Colour	Type
LK0383-41-880	AlGaAs / GaAs	IR	Water Clear

Notes

- All dimensions are in mm.
- Tolerance is ± 0.25 mm unless otherwise noted.



Ledtech Corporation (UK)

Candela House
Cardrew Ind. Est.
Redruth, Cornwall
TR15 1SS

T 01209 203198

F 01209 215197

sales@ledtech-uk.com

ledtech-uk.com

Description

3.0mm Round Infrared Infrared
Lamp IR

Part No

LK0383-41-880

Absolute Maximum Ratings at Ta=25°C

Parameter	Symbol	Rating	Unit
Power Dissipation	Pd	75	mW
Reverse Voltage	Vr	5	V
D.C. Forward Current	If	50	mA
Peak Current (1/10 Duty Cycle, 0.1ms Pulse Width)	If (Peak)	200	mA
Operating Temperature Range	Topr.	-25 to +85	°C
Storage Temperature Range	Tstg.	-40 to +100	°C
Soldering Temperature (1.6mm from body)	Tsol.	Dip Soldering : 260°C for 5 sec. Hand Soldering : 350°C for 3 sec.	

Typical Electrical and Optical Characteristics:

Parameter	Symbol	Condition	Value	Unit
Luminous Intensity	Iv	If=20mA	7	mcd
Forward Voltage	Vf	If=20mA	1.25	V
Peak Wavelength	λ_p	If=20mA	880	nm
Dominant Wavelength	λ_p		-	
Reverse (Leakage) Current	Ir	Vr=5V	100	μ A
Viewing Angle	2 $\theta_{1/2}$	If=20mA	30	deg